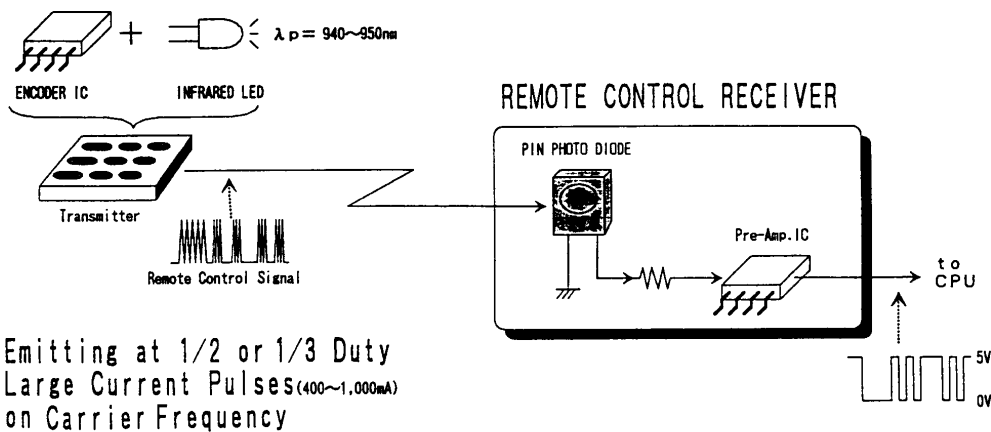


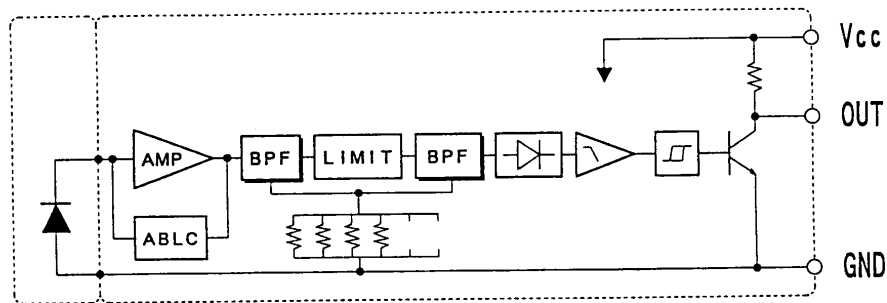
IR Remote Control Module / NJL51 Series

What is an IR Remote Control Module?

An IR Remote Control Module is used to receive remote signals from a remote commander in a television or set-top box where a remote controller is used. Usually, an IR Remote Control Module is located at the front panel of the above sets for better reception. NJR has combined both PIN Photo Diode and Pre-amplifier into 1 chip for ease of use and space saving in the design.



NJL51 SERIES FEATURE



- One chip solution
- Smaller pulse distortion: 600±200uS
- High immunity again optical noise
- High sensitivity (16 ~ 20 m typ.)
- High immunity against Vcc noise
- Package line-up: Forming holder and longer leads are available