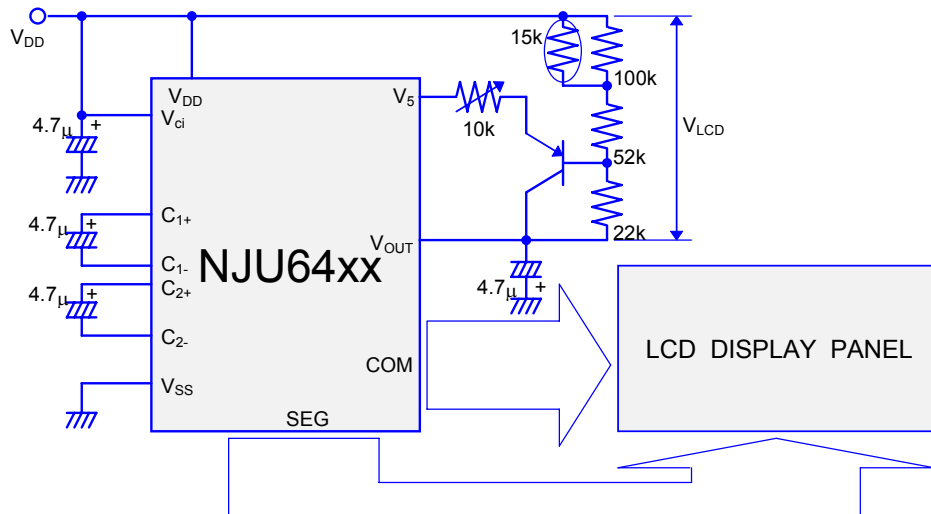
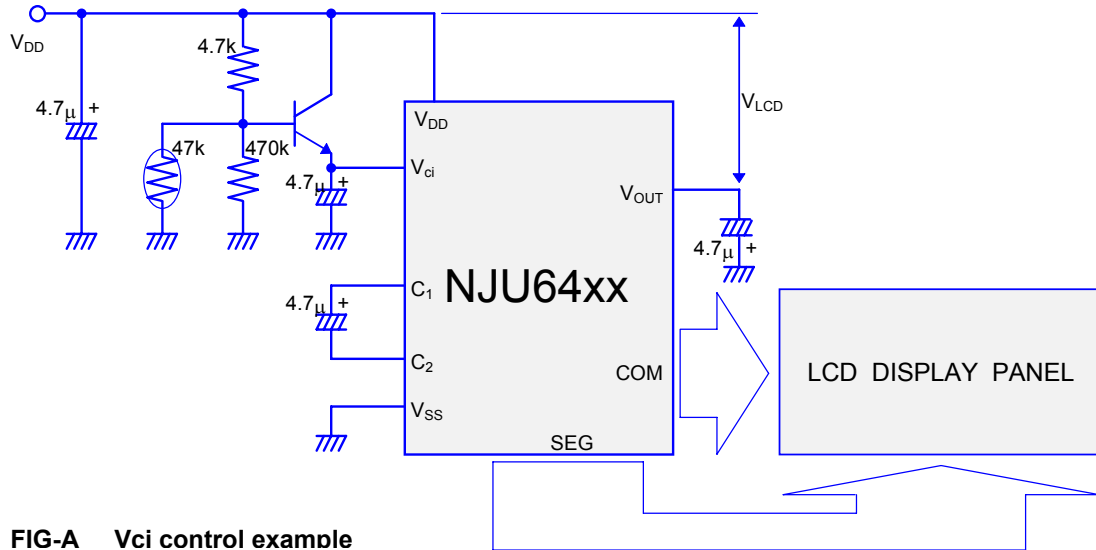


## “JRC” Brand LCD Drivers Temperature Compensation Circuit Example



These circuit examples are illustrated only for information purposes, NJR CORPORATION does not guarantee the characteristics of the actual resistor, capacitor and thermistor. Please check the external parts' value before production. Using the NJU6406 in this application, requires an external bleeder resistor and oscillation circuit resistor .