

NJR's Low Noise Op Amp (Noise Selected Op Amp, -D Version)

NJR CORPORATION is offering special noise selection to meet your low noise requirement. The following list (Fig-1) is a line-up of noise selected Op Amps. Fig-2 shows the audio Op Amps commonly used in an audio application.

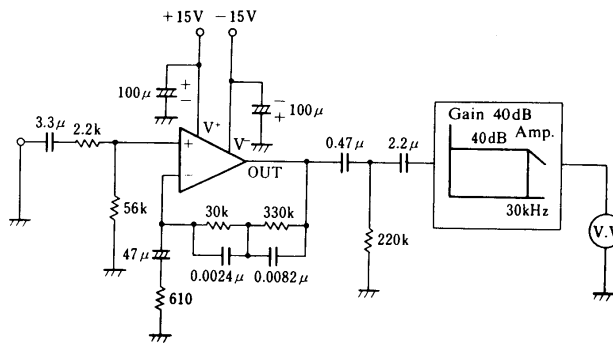
Part Number	Noise Level $V_{NI\ MAX}$ [μV]	Typical Characteristics					
		V_{NI} [rms μV]	SR [V/ μs]	f_T [MHz]	I_{CC} [mA]	I_O [mA]	I_B [nA]
NJM4556AD	1.8		3	8	9	70	50
NJM4558D	1.8		1	4	3.5	13	50
NJM4565D	1.8	1.20	4	10	4.5	25	50
NJM4562D	1.6	0.60	7	15	3.5	13	220
NJM2043D	1.4	0.40	6	14	6	25	400
NJM2068D	1.4	0.44	7	27	5	20	150
NJM4580D	1.4	0.80	5	15	6	25	100

Fig-1 List of Noise Selected Op Amps

Part Number	Noise Level $V_{NI\ MAX}$ [μV]	Typical Characteristics					
		V_{NI} [rms μV]	SR [V/ μs]	f_T [MHz]	I_{CC} [mA]	I_O [mA]	I_B [nA]
NJM072 / 082	Not specified	4.00	20	5	3	25	0.03
NJM2114	Not specified	0.90	15	13	9	60	500
NJM4560	Not specified	1.20	4	10	4.3	25	40
NJM5532	Not specified	1.00	8	10	9	38	200

Fig-2 List of audio Op Amps

The D version is tested according to the following test circuit. (RIAA Test Circuit)



Ordering Information

NJM4558 D D

- Part Number
- Type of Package
- Noise Selected Version
- D: DIP
- M: DMP
- E: EMP